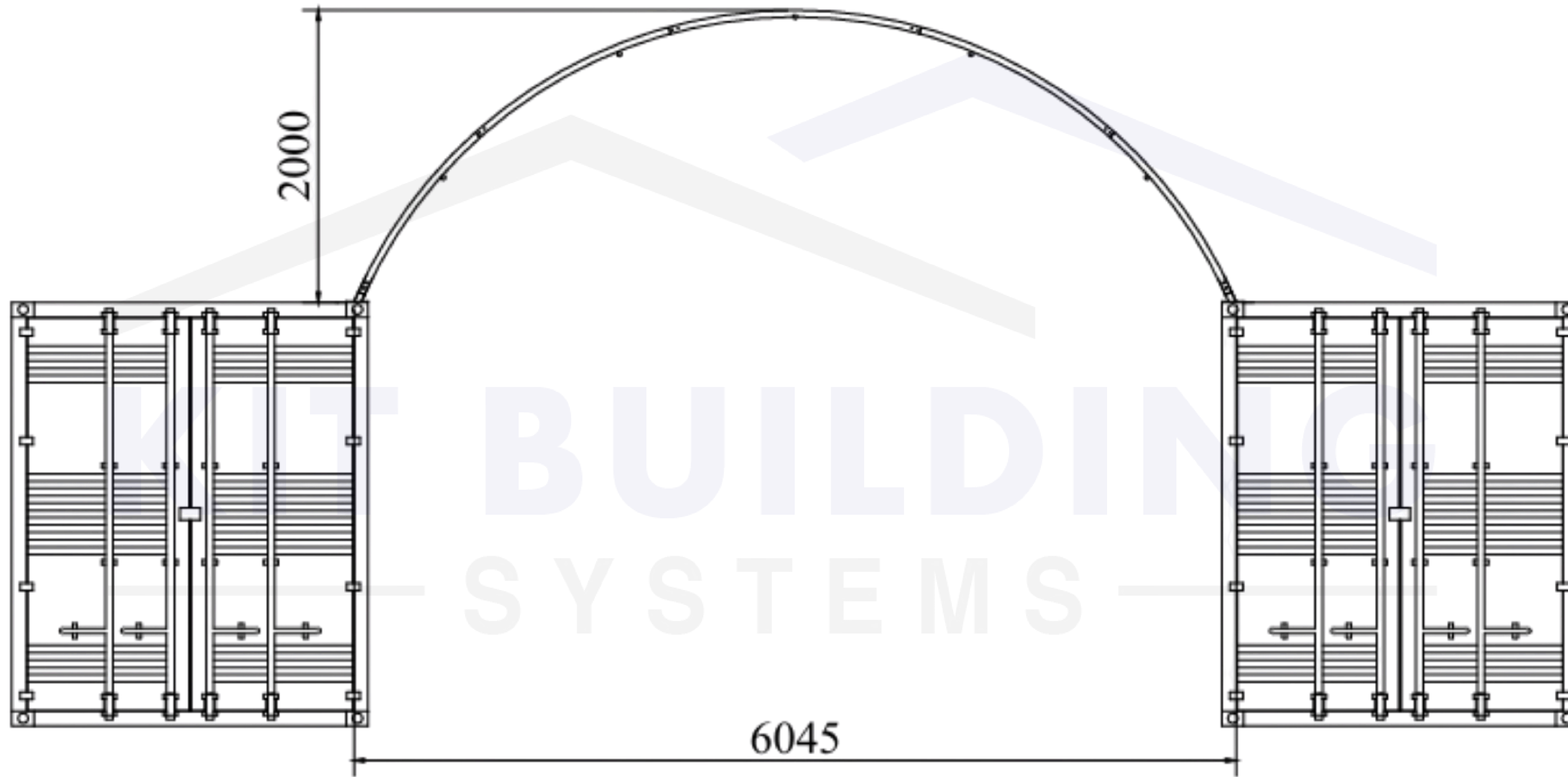


# Container Canopy | C2040 | Open



## PROJECT TITLE

Container Canopy | C2040 | Open

20' x 40' x 6'5" | 6m x 12m x 2m  
Width x Length x Height

## NOTES:

## WORKING DRAWING

DRAWING BY: Samir Aitouaziz

PROJECT: Standard Building

SCALE N.T.S | DATE: 01.04.2026

Width: 6m | 20'  
Length: 12m | 40'  
Eave Height: 2.9m | 9'5"  
Overall Height: 2m | 6'5"  
Arch Distance: 1.5m | 5'

## REVISIONS

Sr.	DESCRIPTION	DATE

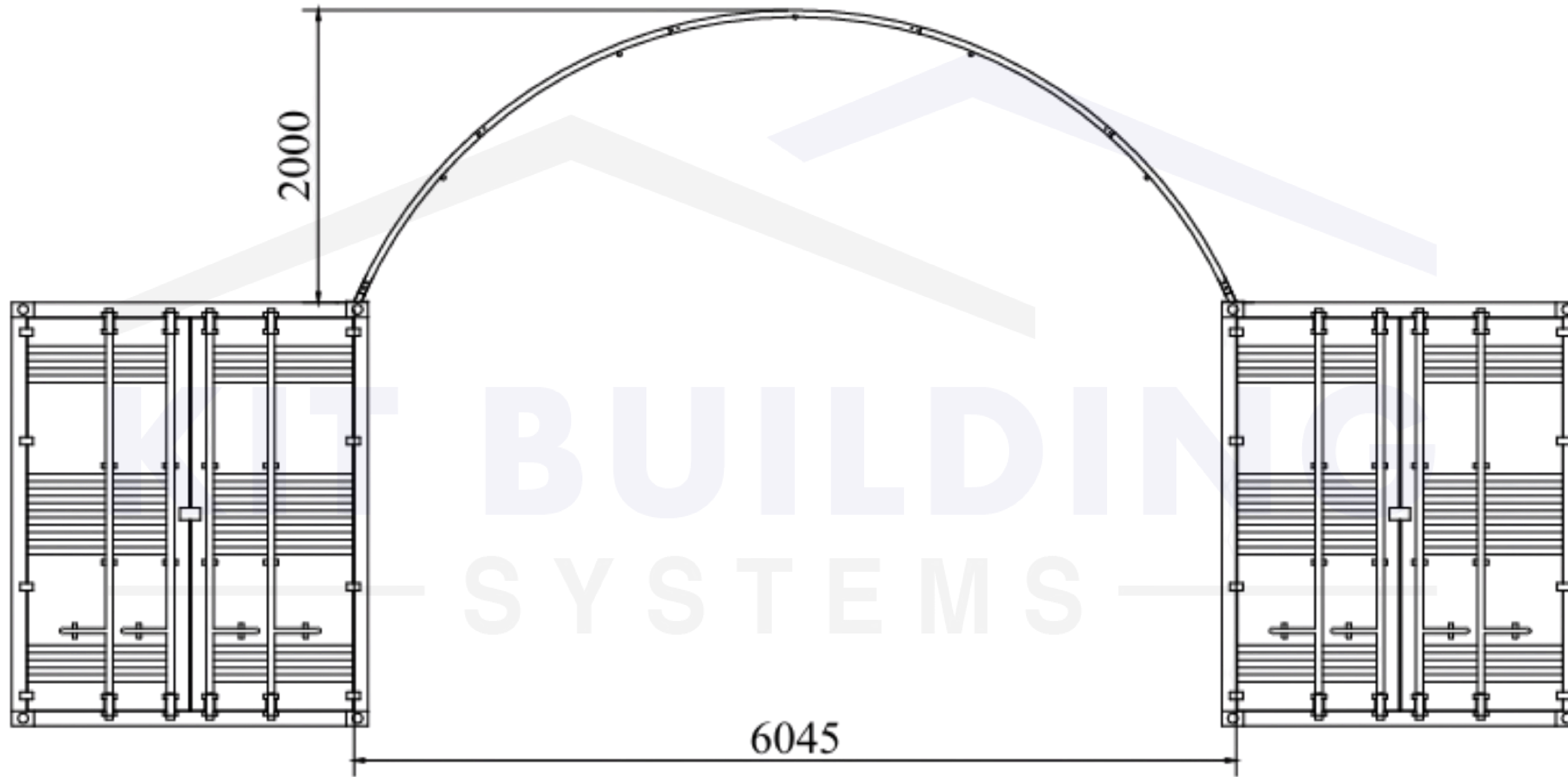
<b>Steel Frame:</b> CHS Single Truss	<b>Covering:</b> PVC - 650g/m <sup>2</sup>   19oz/sq yd	<b>Arch Tube Thickness:</b> 45mm x 1.5mm   1.77" x 0.06"	<b>Purling Tube Thickness:</b> 32mm x 1.2mm   1.26" x 0.05"	<b>Eave Height:</b> 2.9m   9'5"	<b>Opening/Shutter Size WxH:</b> N/A
---	--	---	--	------------------------------------	---

## Front Elevations

<b>Shutter Type:</b> N/A	<b>Pedestrian door WxH</b> Quantity: N/A   Size: N/A	<b>PAGE 1 OF 3</b>
-----------------------------	---	--------------------

**KIT BUILDING**  
— SYSTEMS —  
WWW.KITBUILDINGS.COM

# Container Canopy | C2040 | Open



## PROJECT TITLE

Container Canopy | C2040 | Open

20' x 40' x 6'5" | 6m x 12m x 2m  
Width x Length x Height

## NOTES:

## WORKING DRAWING

DRAWING BY: Samir Aitouaziz

PROJECT: Standard Building

SCALE N.T.S | DATE: 01.04.2026

Width: 6m | 20'  
Length: 12m | 40'  
Eave Height: 2.9m | 9'5"  
Overall Height: 2m | 6'5"  
Arch Distance: 1.5m | 5'

## REVISIONS

Sr.	DESCRIPTION	DATE

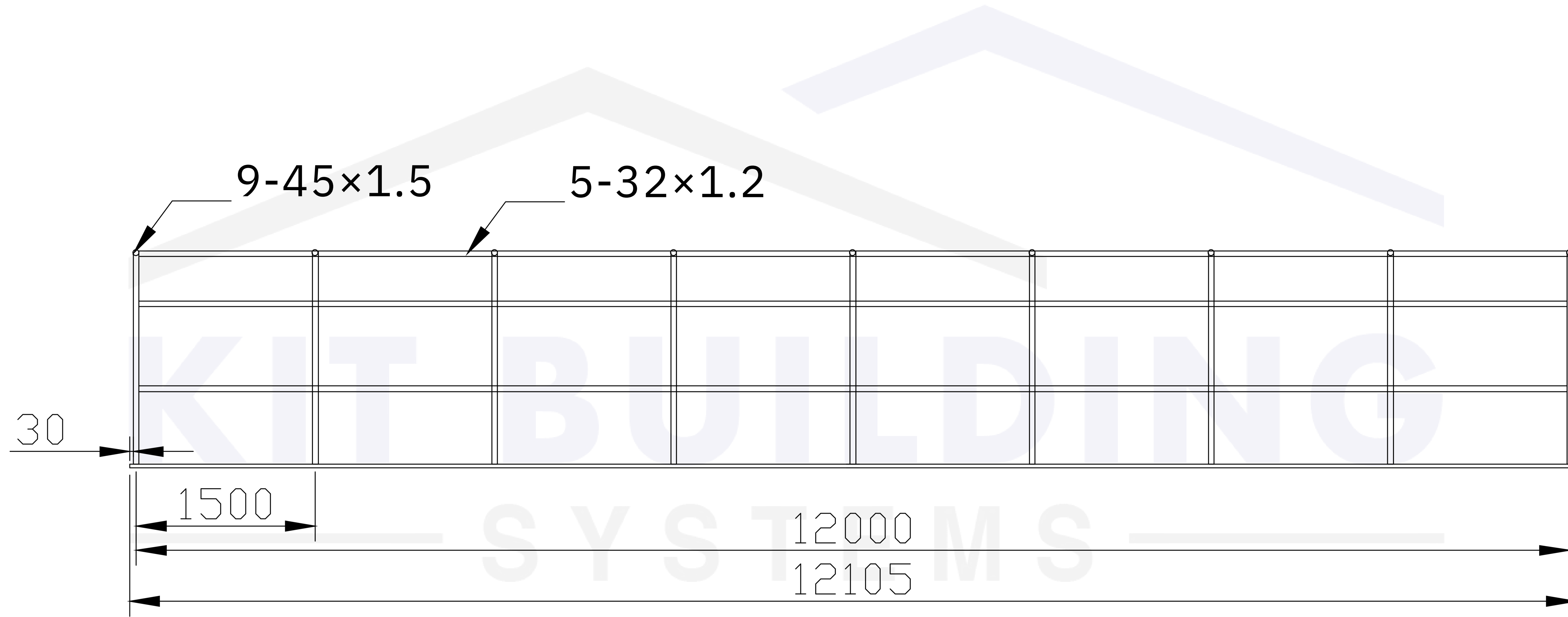
<b>Steel Frame:</b> CHS Single Truss	<b>Covering:</b> PVC - 650g/m <sup>2</sup>   19oz/sq yd	<b>Arch Tube Thickness:</b> 45mm x 1.5mm   1.77" x 0.06"	<b>Purling Tube Thickness:</b> 32mm x 1.2mm   1.26" x 0.05"	<b>Eave Height:</b> 2.9m   9'5"	<b>Opening/Shutter Size WxH:</b> N/A
---	--	---	--	------------------------------------	---

## Rear Elevations

<b>Shutter Type:</b> N/A	<b>Pedestrian door WxH</b> Quantity: N/A   Size: N/A	<b>PAGE 2 OF 3</b>
-----------------------------	---	--------------------

**KIT BUILDING**  
— SYSTEMS —  
WWW.KITBUILDINGS.COM

# Container Canopy | C2040 | Open



## PROJECT TITLE

Container Canopy | C2040 | Open

20' x 40' x 6'5" | 6m x 12m x 2m  
Width x Length x Height

## NOTES:

## WORKING DRAWING

DRAWING BY: Samir Aitouaziz

PROJECT: Standard Building

SCALE N.T.S | DATE: 01.04.2026

Width: 6m | 20'  
Length: 12m | 40'  
Eave Height: 2.9m | 9'5"  
Overall Height: 2m | 6'5"  
Arch Distance: 1.5m | 5'

## REVISIONS

Sr.	DESCRIPTION	DATE

<b>Steel Frame:</b> CHS Single Truss	<b>Covering:</b> PVC - 650g/m <sup>2</sup>   19oz/sq yd	<b>Arch Tube Thickness:</b> 45mm x 1.5mm   1.77" x 0.06"	<b>Purling Tube Thickness:</b> 32mm x 1.2mm   1.26" x 0.05"	<b>Eave Height:</b> 2.9m   9'5"	<b>Opening/Shutter Size WxH:</b> N/A
---	--	---	--	------------------------------------	---

## Side Elevations

<b>Shutter Type:</b> N/A	<b>Pedestrian door WxH</b> Quantity: N/A   Size: N/A	<b>PAGE 3 OF 3</b>
-----------------------------	---	--------------------

**KIT BUILDING**  
— SYSTEMS —  
WWW.KITBUILDINGS.COM