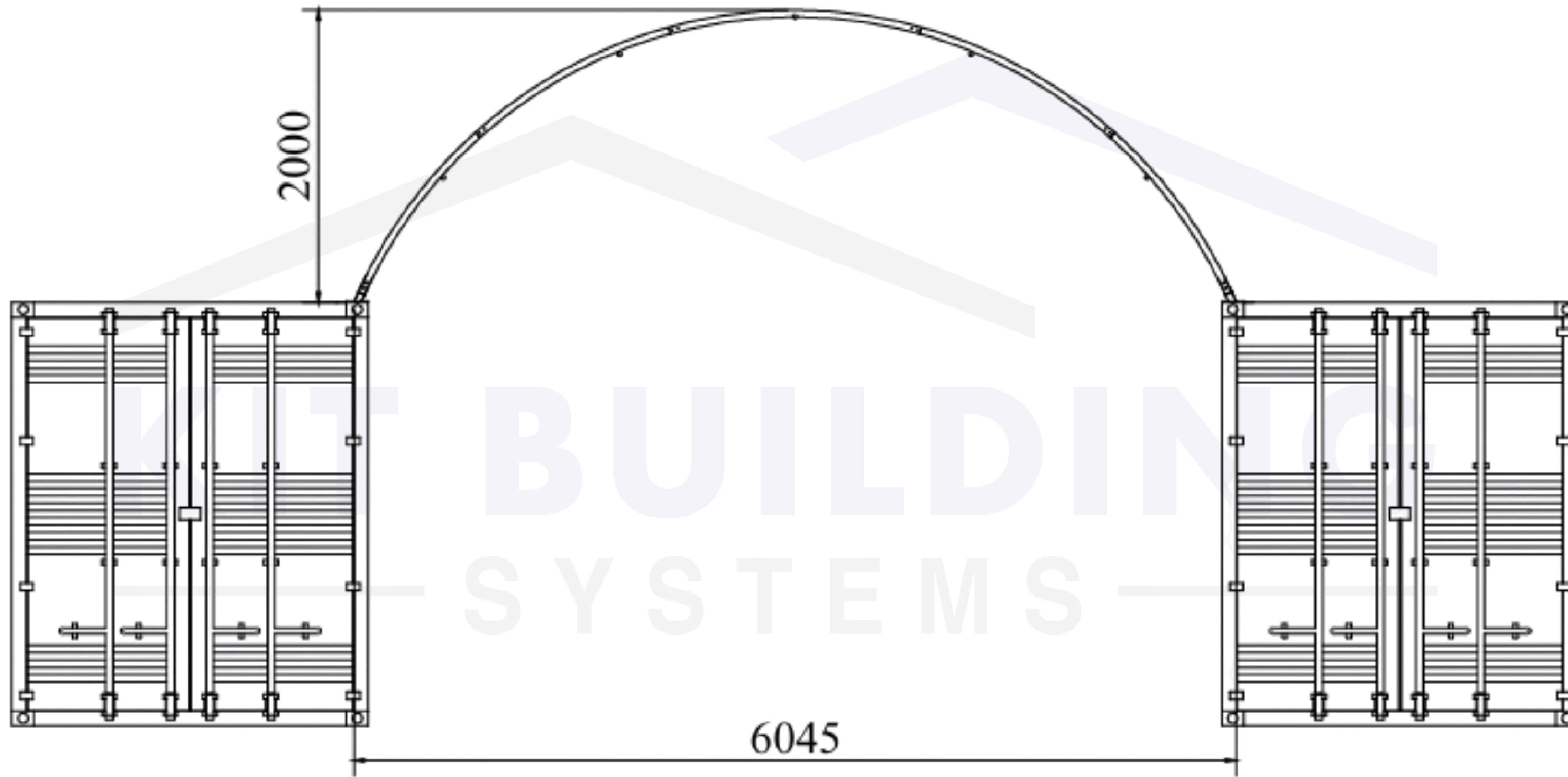


Container Canopy | C2020 | with Back Panel



PROJECT TITLE

Container Canopy | C2020 |
with Back Panel

20' x 20' x 6'5" | 6m x 6m x 2m
Width x Length x Height

NOTES:

WORKING DRAWING

DRAWING BY: Samir Aitouaziz

PROJECT: Standard Building

SCALE N.T.S | DATE: 01.04.2026

Width: 6m | 20'
Length: 6m | 20'
Eave Height: 2.9m | 9'5"
Overall Height: 2m | 6'5"
Arch Distance: 1.5m | 5'

REVISIONS

Sr.	DESCRIPTION	DATE

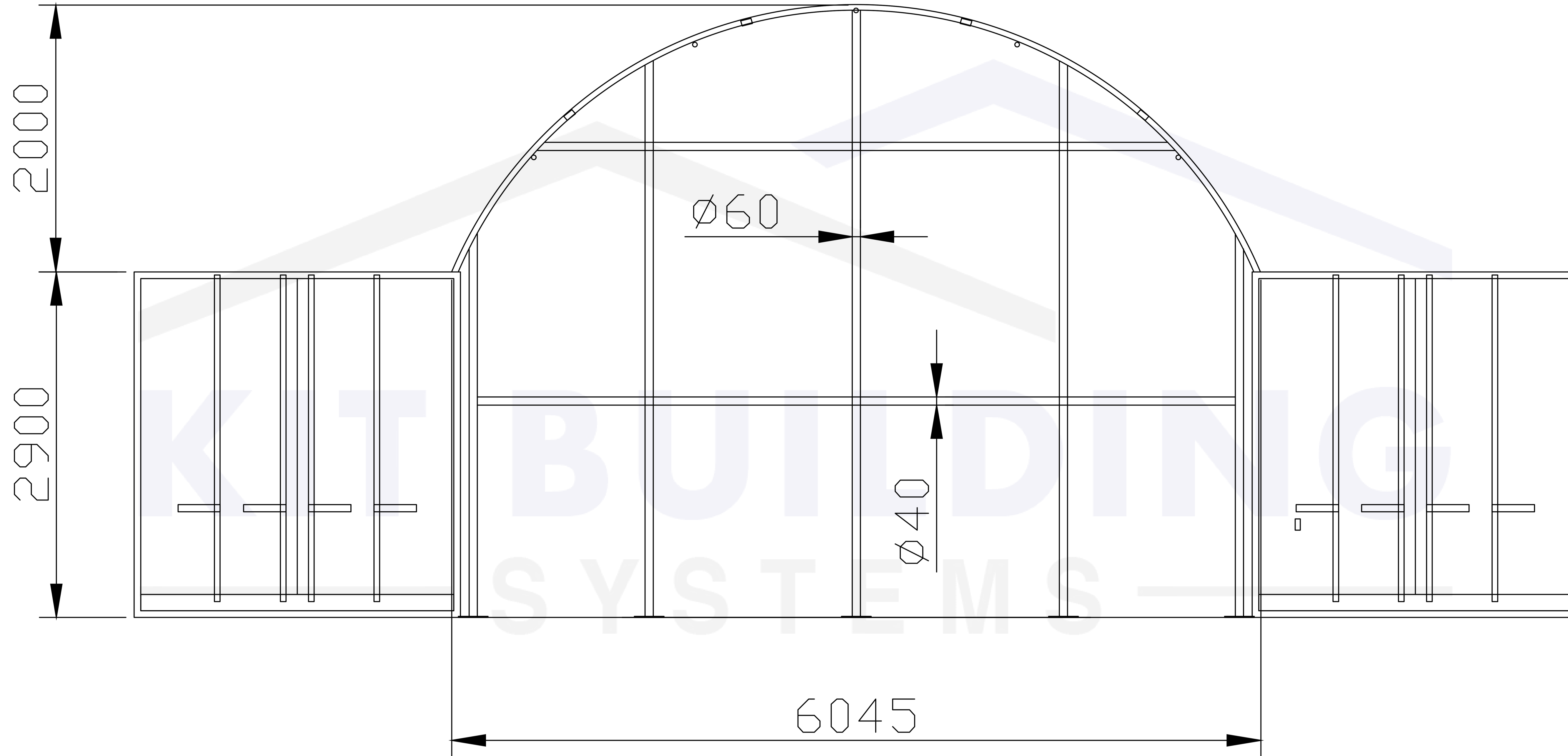
Steel Frame: CHS Single Truss	Covering: PVC - 650g/m ² 19oz/sq yd	Arch Tube Thickness: 45mm x 1.5mm 1.77" x 0.06"	Purling Tube Thickness: 32mm x 1.2mm 1.26" x 0.05"	Eave Height: 2.9m 9'5"	Opening/Shutter Size WxH: N/A
---	--	---	--	------------------------------------	---

Front Elevations

Shutter Type: N/A	Pedestrian door WxH Quantity: N/A Size: N/A	PAGE 1 OF 3
-----------------------------	---	--------------------

KIT BUILDING
— SYSTEMS —
WWW.KITBUILDINGS.COM

Container Canopy | C2020 | with Back Panel



PROJECT TITLE

Container Canopy | C2020 |
with Back Panel
20' x 20' x 6'5" | 6m x 6m x 2m
Width x Length x Height

NOTES:

WORKING DRAWING

DRAWING BY: Samir Aitouaziz

PROJECT: Standard Building

SCALE N.T.S | DATE: 01.04.2026

Width: 6m | 20'
Length: 6m | 20'
Eave Height: 2.9m | 9'5"
Overall Height: 2m | 6'5"
Arch Distance: 1.5m | 5'

REVISIONS

Sr.	DESCRIPTION	DATE

Steel Frame: CHS Single Truss	Covering: PVC - 650g/m ² 19oz/sq yd	Arch Tube Thickness: 45mm x 1.5mm 1.77" x 0.06"	Purling Tube Thickness: 32mm x 1.2mm 1.26" x 0.05"	Eave Height: 2.9m 9'5"	Opening/Shutter Size WxH: N/A
---	--	---	--	------------------------------------	---

Rear Elevations

Shutter Type: N/A	Pedestrian door WxH Quantity: N/A Size: N/A	PAGE 2 OF 3
-----------------------------	---	--------------------

KIT BUILDING
— SYSTEMS —
WWW.KITBUILDINGS.COM

Container Canopy | C2020 | with Back Panel

PROJECT TITLE

Container Canopy | C2020 |
with Back Panel
20' x 20' x 6'5" | 6m x 6m x 2m
Width x Length x Height

NOTES:

WORKING DRAWING

DRAWING BY: Samir Aitouaziz

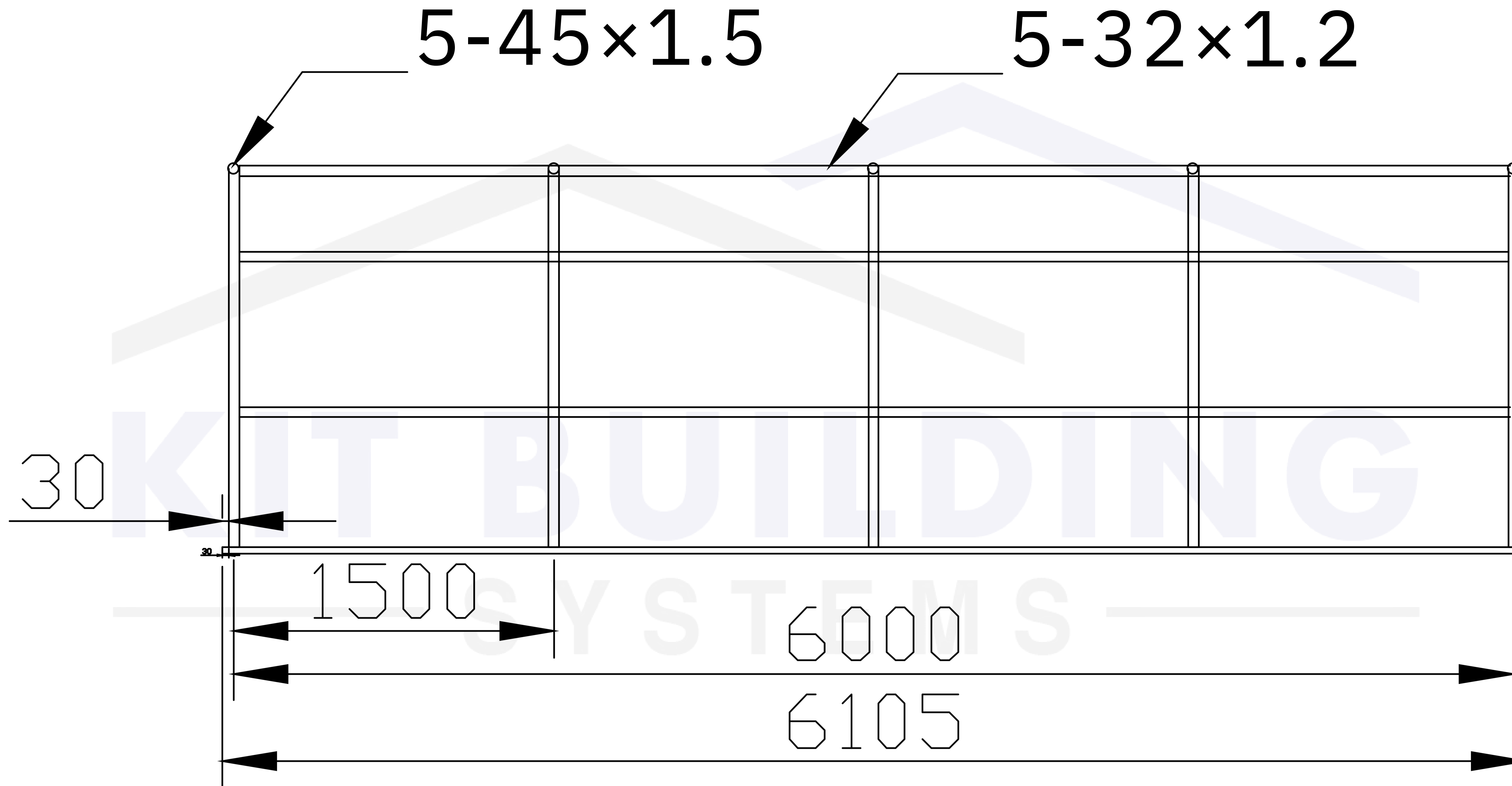
PROJECT: Standard Building

SCALE N.T.S | DATE: 01.04.2026

Width: 6m | 20'
Length: 6m | 20'
Eave Height: 2.9m | 9'5"
Overall Height: 2m | 6'5"
Arch Distance: 1.5m | 5'

REVISIONS

Sr.	DESCRIPTION	DATE



Steel Frame: CHS Single Truss	Covering: PVC - 650g/m ² 19oz/sq yd	Arch Tube Thickness: 45mm x 1.5mm 1.77" x 0.06"	Purling Tube Thickness: 32mm x 1.2mm 1.26" x 0.05"	Eave Height: 2.9m 9'5"	Opening/Shutter Size WxH: N/A
---	--	---	--	------------------------------------	---

Side Elevations

Shutter Type: N/A	Pedestrian door WxH Quantity: N/A Size: N/A	PAGE 3 OF 3
-----------------------------	---	--------------------