



MODEL:503318

W15xL10xH5.5M

INSTALLATION INSTRUCTIONS



Installation Instructions

Congratulations on your purchase of our instant shelter. This unit is a combination of excellent manufacturing and design. It is comprised of a rigid frame and a durable cover. For easy assembly, we have marked all the parts with codes, with proper installation, use and maintenance, your unit will provide many years of good and suitable service.

Tools Required

The following hand tool will be needed for proper installation of your new building:

- 12mm, 14mm, and 17mm open end wrenches
- 12mm, 14mm, 17mm sockets or box wrenches
- Large flat head screwdriver
- 2lb maul or sledgehammer
- 4ft level
- 14ft step ladder
- Stake and string for aligning base plates and frame

Assembly Procedure

1. Prepare location and place all unit boxes near location sight. Perform an inventory check before beginning, to be certain all components are available for installation.
2. Secure base plate flanges to base surface.
3. Assemble every group of the arch.
4. Begin frame assembly with front end arch, first interior arch, purlins, etc.
5. Add to assemble other groups of arches.
6. Install main cover over frame.
7. Install end cover over end panels.

Read all the detailed instructions and notices in the following assembly instructions!



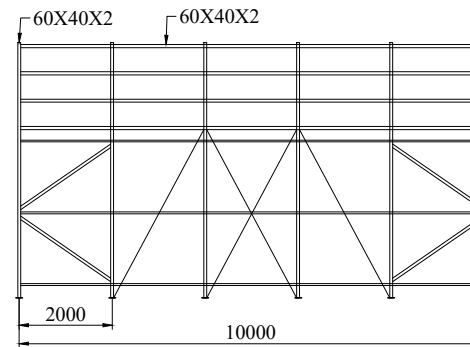
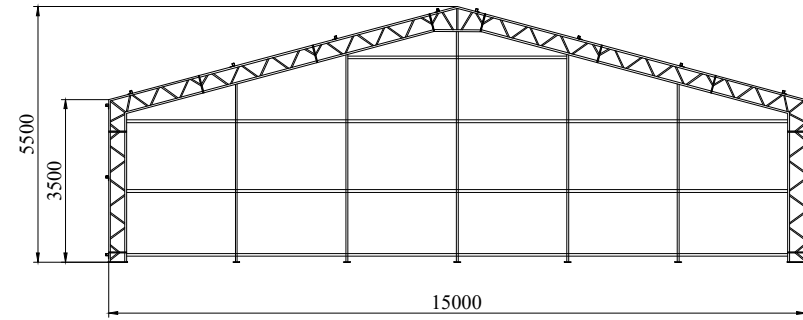
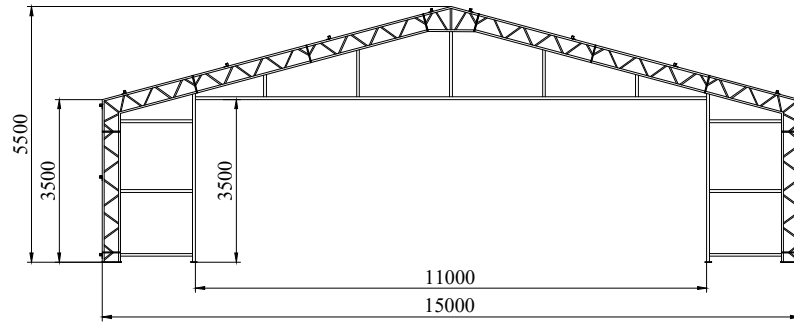
Maintenance and Care

Annually or more often, the unit should be completely inspected internally and externally to make certain the unit remains properly installed and secured. Particular attention should be paid to:

- **Hardware** - check all carriage bolts and hardware connectors to be certain they are in place and tightened.
- **Weather trends** - The unit will strain against the base plate flange under windy conditions, pegs hardware, connection to frame members should be maintained tight and depth of pegs should be checked to be certain they remain deeply and firmly set.
- **Snow Accumulation** - All snow accumulation on the main cover should be removed as soon as possible.
- **Installation of panels**-Use self-tapping screws to install the sandwich panels, we suggest at least 50cm distance between each self-tapping screw.

Part Code	Description	Quantity
1	Top roof truss	4
1A	Top roof truss for front panel	1
1B	Top roof truss for back panel	1
2	Upper roof truss	8
2A	Upper roof truss for front panel	2
2B	Upper roof truss for back panel	2
3	Lower roof truss	8
3A	Lower roof truss for front panel	2
3B	Lower roof truss for back panel	2
4	Shoulder truss	8
4A	Shoulder truss for front panel	2
4B	Shoulder truss for back panel	2
5	Sidewall truss	8
5A	Sidewall truss for front panel	2
5B	Sidewall truss for back panel	2
5L	Base plate for left corner	2
5R	Base plate for right corner	2
6	Base plate for sidewall	8
7	Base plate for back panel	5
8	Horizontal tube	70
9	Door vertical tube	2
10	Door beam	1+1
11	Pulley for door	6
11A	Hinge for door	30
11B	Lock for door	6
12	Lock for door	6
12A	Plate for lock	6
13	Side hanging tube for front panel	2
14	Middle hanging tube for front panel	1
15	End hanging tube for front panel	2
16	Middle suspender tube for front panel	1
16A	Side suspender tube for front panel	2
17	Clip for suspender tube	6+2
17A	Clip for suspender tube	6+2
18	Upper rail beside door	2
18A	Lower rail beside door	4
22	Lower vertical tube for back panel	5
23	Upper vertical tube for middle of back panel	1
24	Upper vertical tube for sides of back panel	2
24A	Upper rail for ends of back panel	2
	Connectors of vertical tube	5SETS
25	Middle rail for back panel	14
26	Rail on top of back panel	2
27	Rails for sides of back panel	4
29	Brace tube for sidewall	8
29A	Clip fir #29	16
30	Stake peg	62

30A	Ground bolt	62
31	Steelwire for sidewall	8
	Turn buckle kit	8+16
32	Hexagon bolt M14*40	244
33	Hexagon bolt M10*60	150
34	Hexagon bolt M10*30	40
35	Hexagon bolt M10*50	50
35A	Hexagon bolt M10*90	90
35B	Carriage bolt M10*80	20
	Hexagon bolt M10*130/75/55	30+4+12
36	Self-tapping screw	600
37	Hexagon bolt M10*110	20
38	Hexagon bolt M10*110	4
39	Folding door	1SETS
40	Sheeting for front panel	2200+1950+1700+1450+1200+950+4170+3940+3680+3580,2+2+2+2+2+2+2+2+2
41	Sheeting for back panel	5670+5430+5180+4930+4680+4420+4170+3930+3690,2+2+2+2+2+2+2+2+2
42	Sheeting for roof	24
43	Sheeting for sidewall	24
44	Edge cover for roof panels	11m
45	Edge cover for roof panels &. endwall panels	4
46	Edge cover for sidewall panels &. endwall panels	12
47	Flume	22
48	Spare sheeting	12
49	Tapes	5



STEEL FRAME MATERIAL	Q235 HOT GALVANIZED STEEL TUBE	QINGDAO JQ SHELTER	
CLADDED MATERIAL	0.7mm Steel Panelling	DESIGN	L.CHEN
TRUSS FRAME	60*40*2 MM SQUARE TUBE	DRAWN	Q.LI
PURLIN	60*40*2 MM SQUARE TUBE	CHECK	H.DING
COLUMN	60*40*2MM SQUARE TUBE	APPROVE	Y.LAN
RAIL	60*40*2MM SQUARE TUBE	CLIENT	KIT BUILDING
		PROJECT	STEEL BUILDING

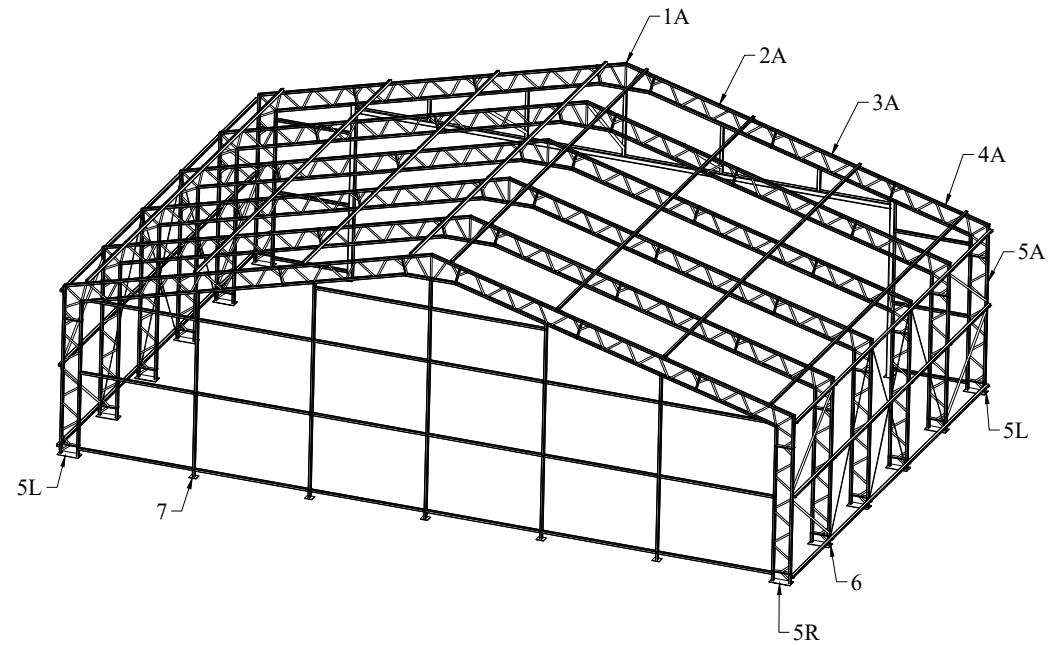
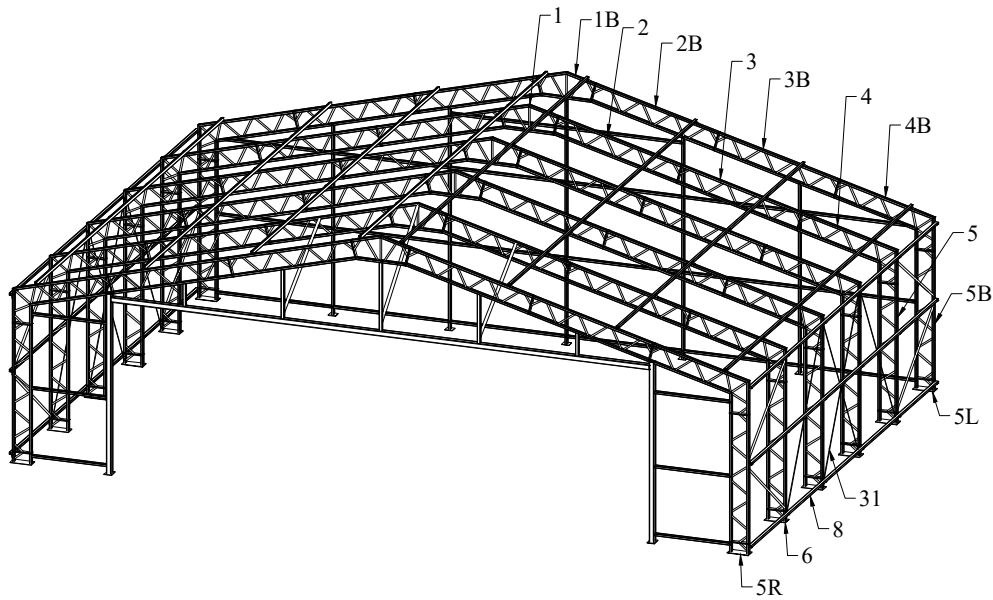


Figure 1 Sketch of Trussed Frame Shelter Size: L10 x W15 x H5.5m

Sit the building boxes in the chosen location. Remove all the components from packaging to ensure all components are present by checking with the Part List. The Shelter must be secured to a firm surface that can receive and retain pegs firmly in position. The shelter should be installed on **FIRM GROUND**, not on **SWAMP, SOFT/WET GROUND**. The Base Flanges must be secured so they cannot be moved.

Step#1--ARCHASSEMBLY

Assemble ALL the arches including the base plates, and LAY them on the ground first. DONOT erect them until you finish all the arches assembly. Each arches consist of:One Top roof tube (Part # 1/1A/1B), Two Roof curving tube (Part # 2/2A/2B),Two Lower roof curving tube(Part # 3/3A/3B),Two Roof curving tube at shoulder height (Part # 4/4A/4B), Two Sidewall tube (Part # 5/5A/5B), Two Base plates (Part #5L/5R/6) Connect the arches by Using the hexagon bolts with washers and nuts(Part #32) through predrilled holes in frame members.

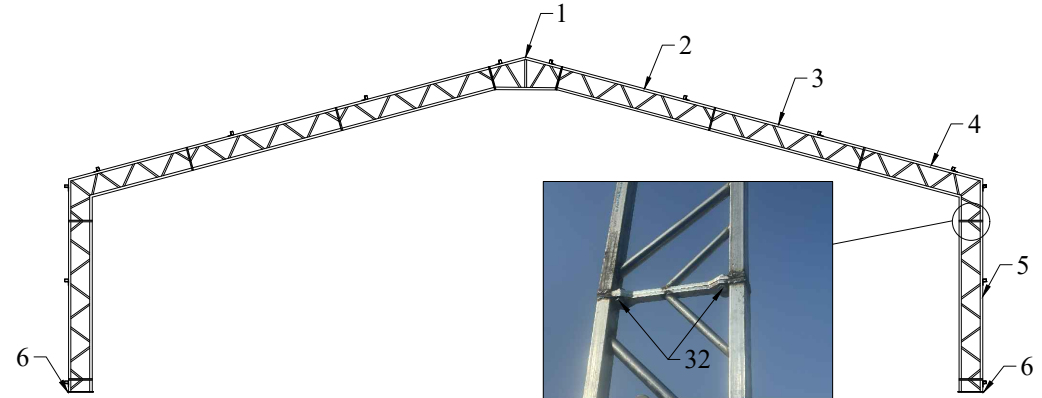


FIGURE.2 INTERIOR ARCH

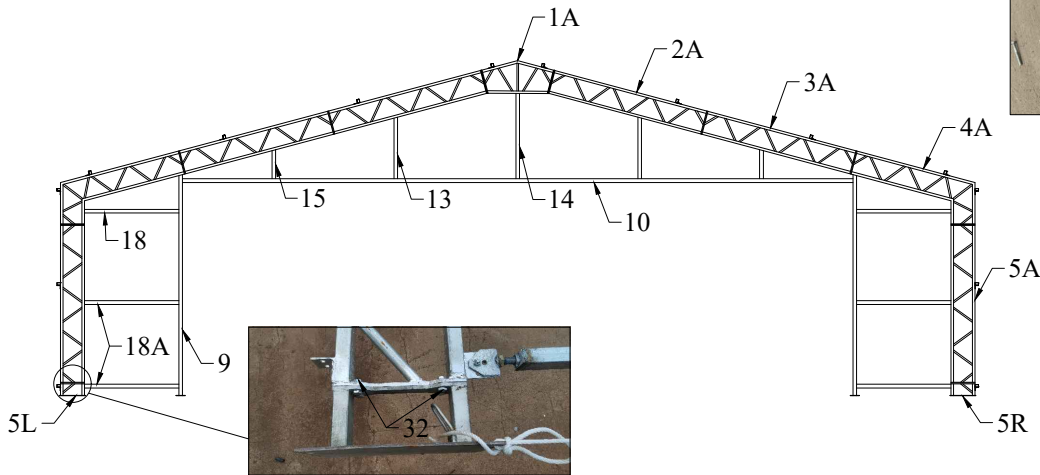


FIGURE.3 RAIL AND BEAM FOR FRONT PANEL

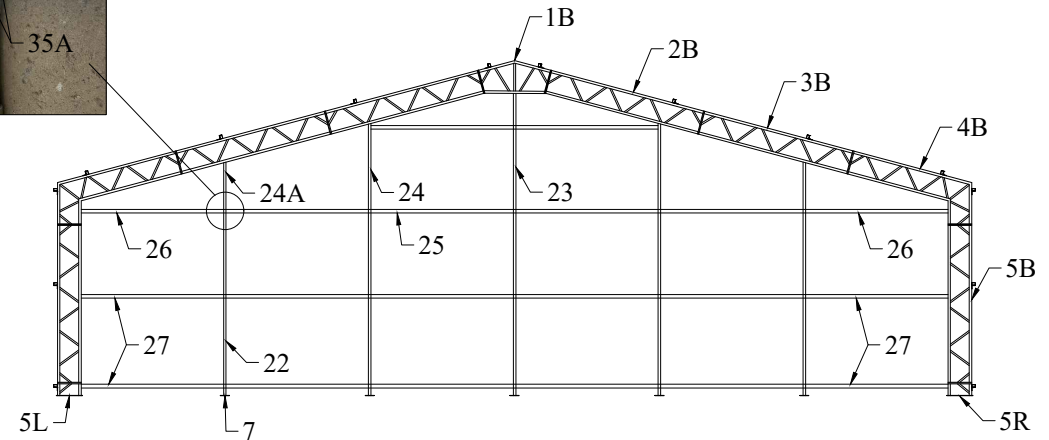


FIGURE.4 RAIL AND BEAM FOR BACK PANEL

Step #2 --ERECTING ARCHES

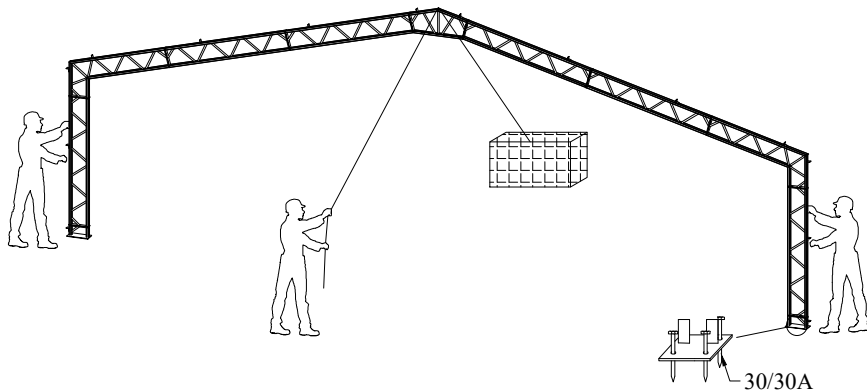


Figure 5 Erecting the Arch

As figure 5 shows, erecting the front arch by using ropes, tie and secure the rope on some heavy object to secure the arch standing temporarily. Then secure the base plates to the ground by using stake pegs(part #30/30A)



Step #3 --Assembling Roof Purlins

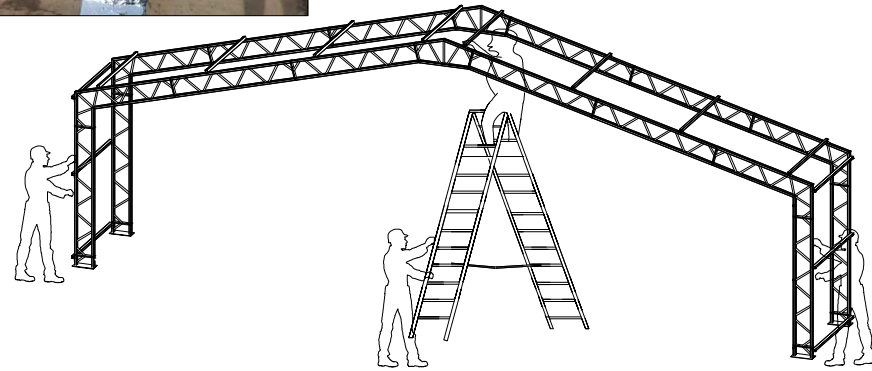


Figure 6

Immediately after erecting the front arch, erect the 2nd arch in the same way. Then connect the two erected arches using Roof Purlin Tubes as figure 6 shows. Secure the Roof Purlin tubes into place using carriage bolts and nuts (part #33)

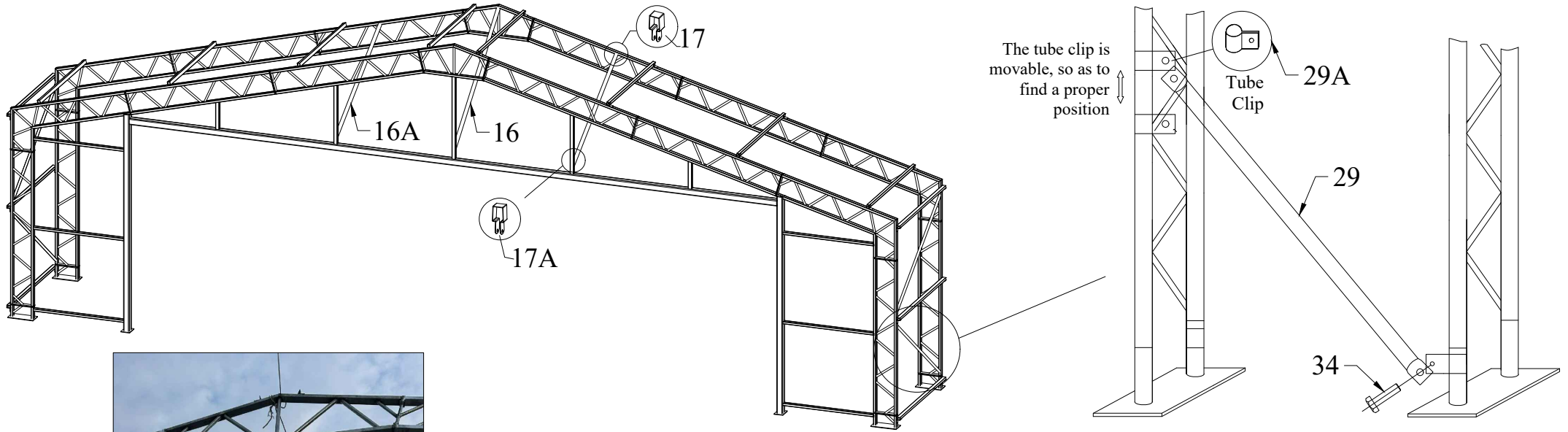
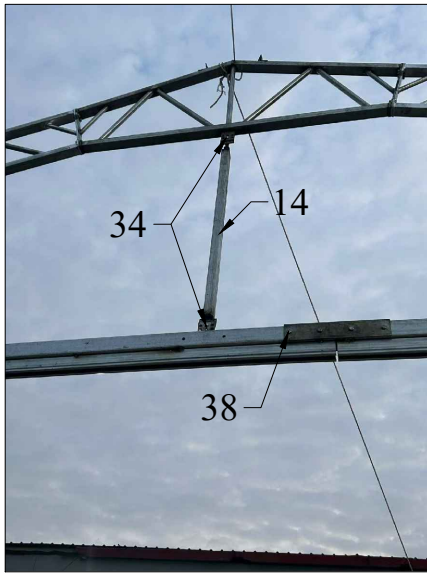


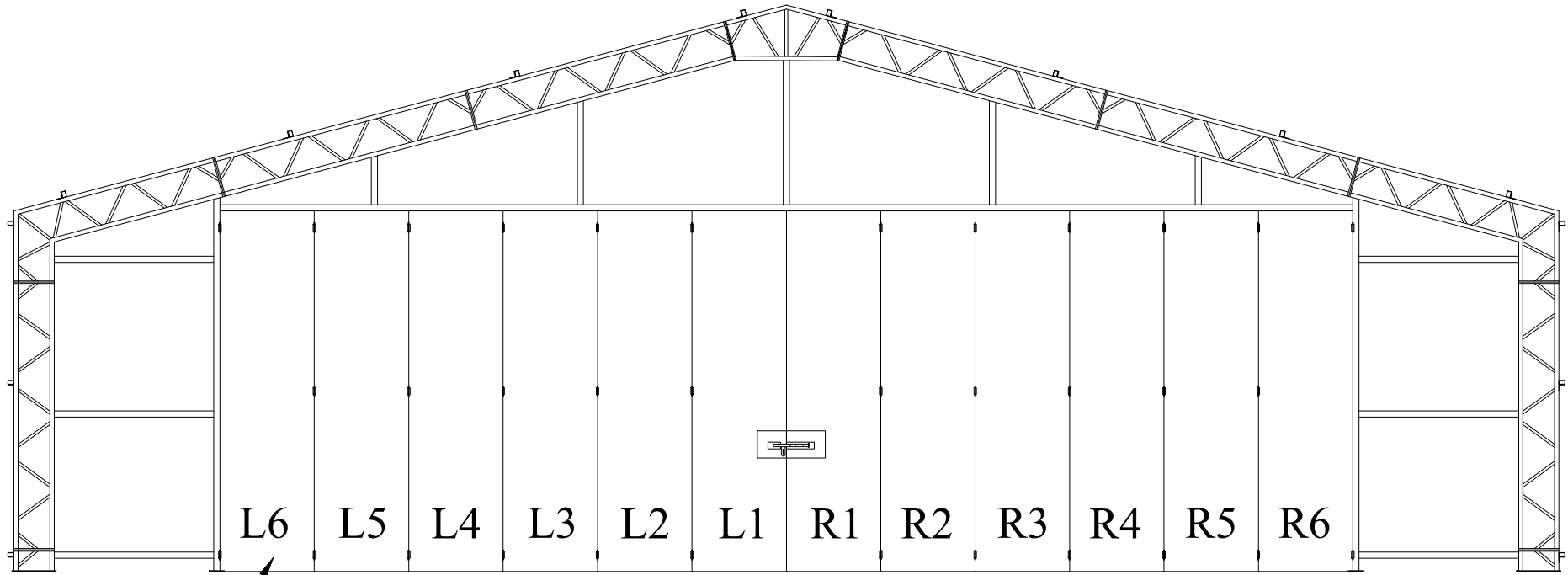
Figure 7: Wind Brace Supports(Part 29)



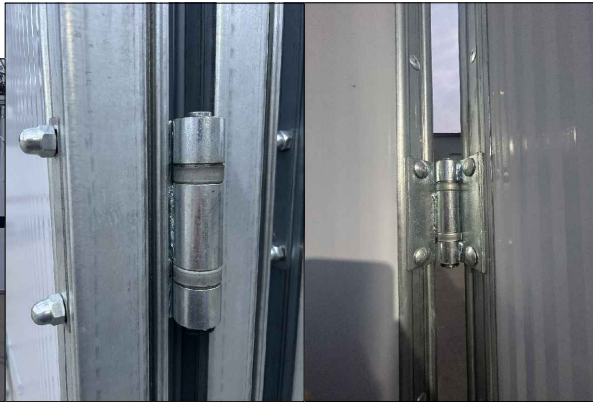
Next install the Wind Brace supports that connect the Front Arch to the first Interior Arch. The Wind Braces give the arch assemblies strength as a unit. Use Bolt M10X30 (Part #34) at the end of each Wind Brace Support to secure.

Continue to install other Arches Assemblies in the same manner. Overlap pinched ends of Roof Purlin onto same carriage bolts inside frame assembly.

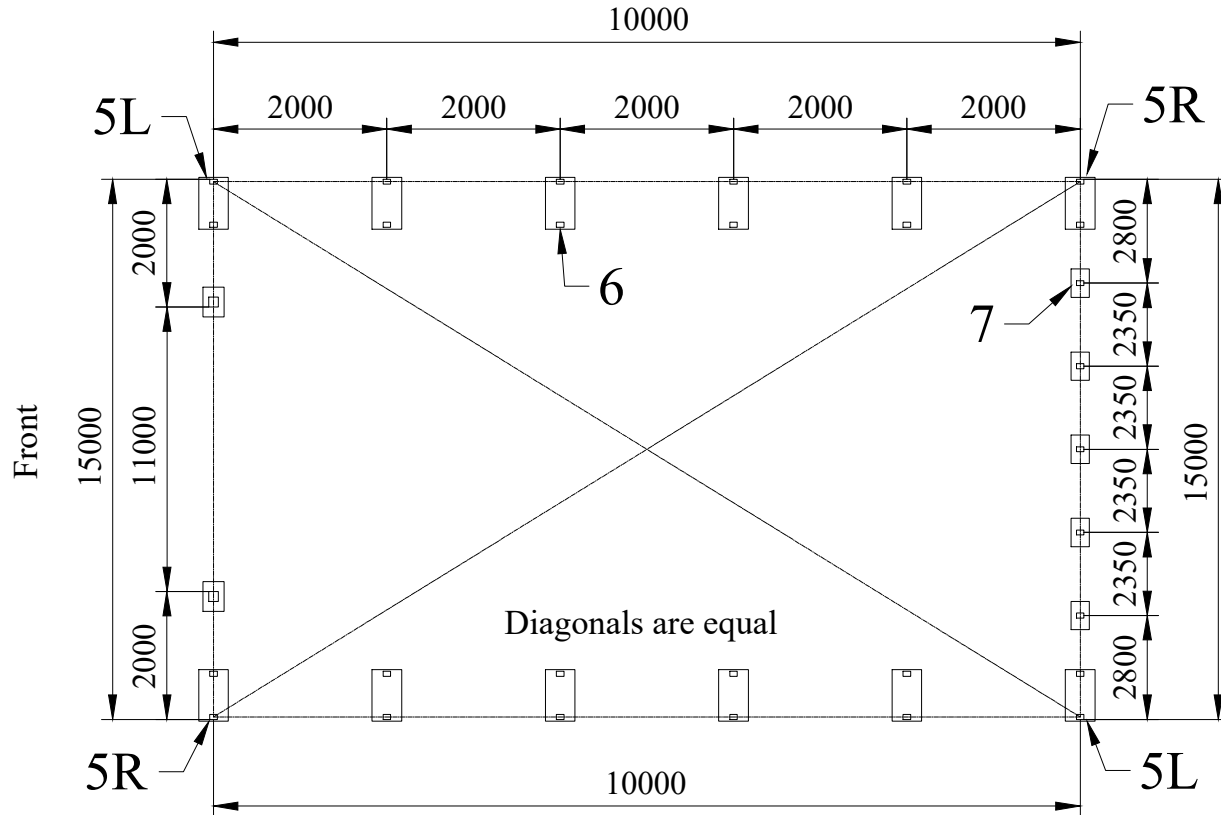
Next check entire frame assembly for square and plumb. Adjust Wind Braces and Roof Purlin as necessary to bring frame into plumb. Next tighten frame bolts adequately.



39 — Figure 8 Installation of door cover



Position of Base Flanges



The Shelter must be secured to a firm surface that can receive and retain pegs firmly in position. The shelter should be installed on FIRM GROUND, not on SWAMP, SOFT/WET GROUND. The Base Flanges must be secured so they cannot be moved.

Step #4 --WIND STABILIZERS CABLES AND TURNBUCKLES

On each side of frame, between the first and last two groups of arches, and on the front&back panel frame, cables with turnbuckle are provided to align and strengthen frame before installing cover. After installing all cables, tighten the turnbuckles slightly to adjust the arches vertically and to add rigidity.

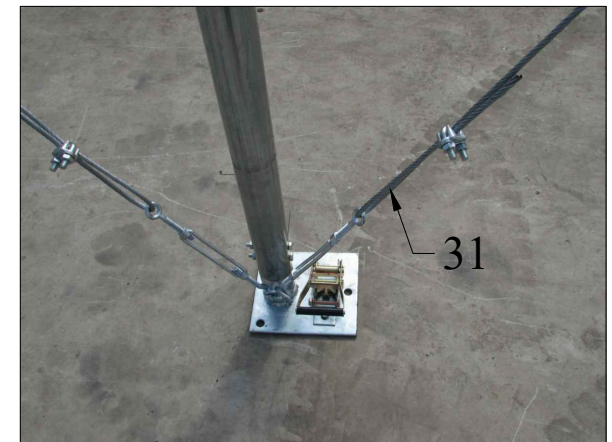
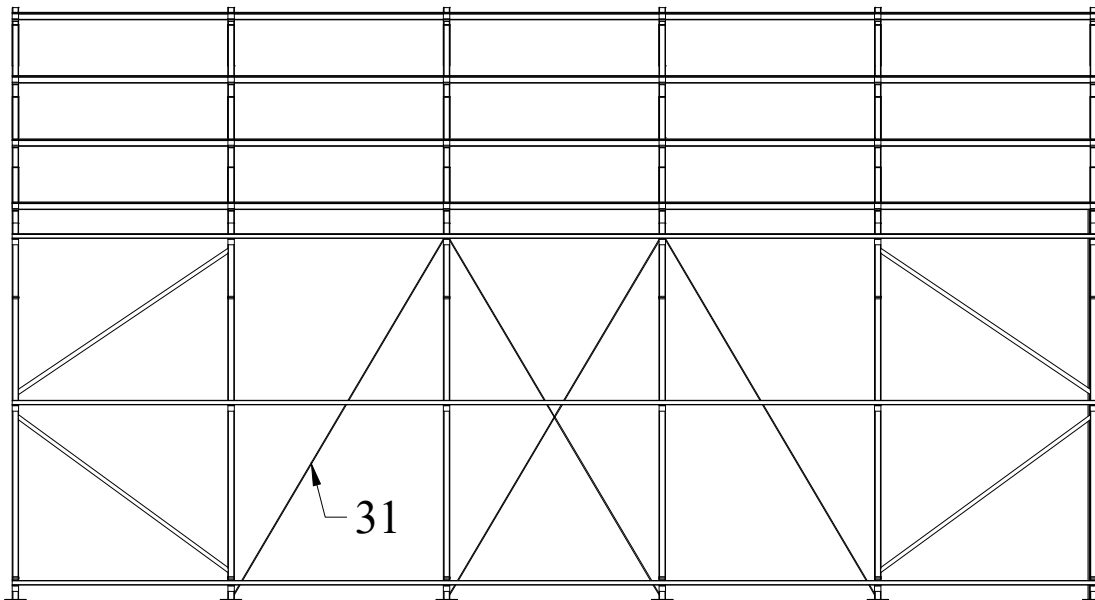


Figure 9 The position of windstabilizers(turnbuckle and cable) at the sidewall.

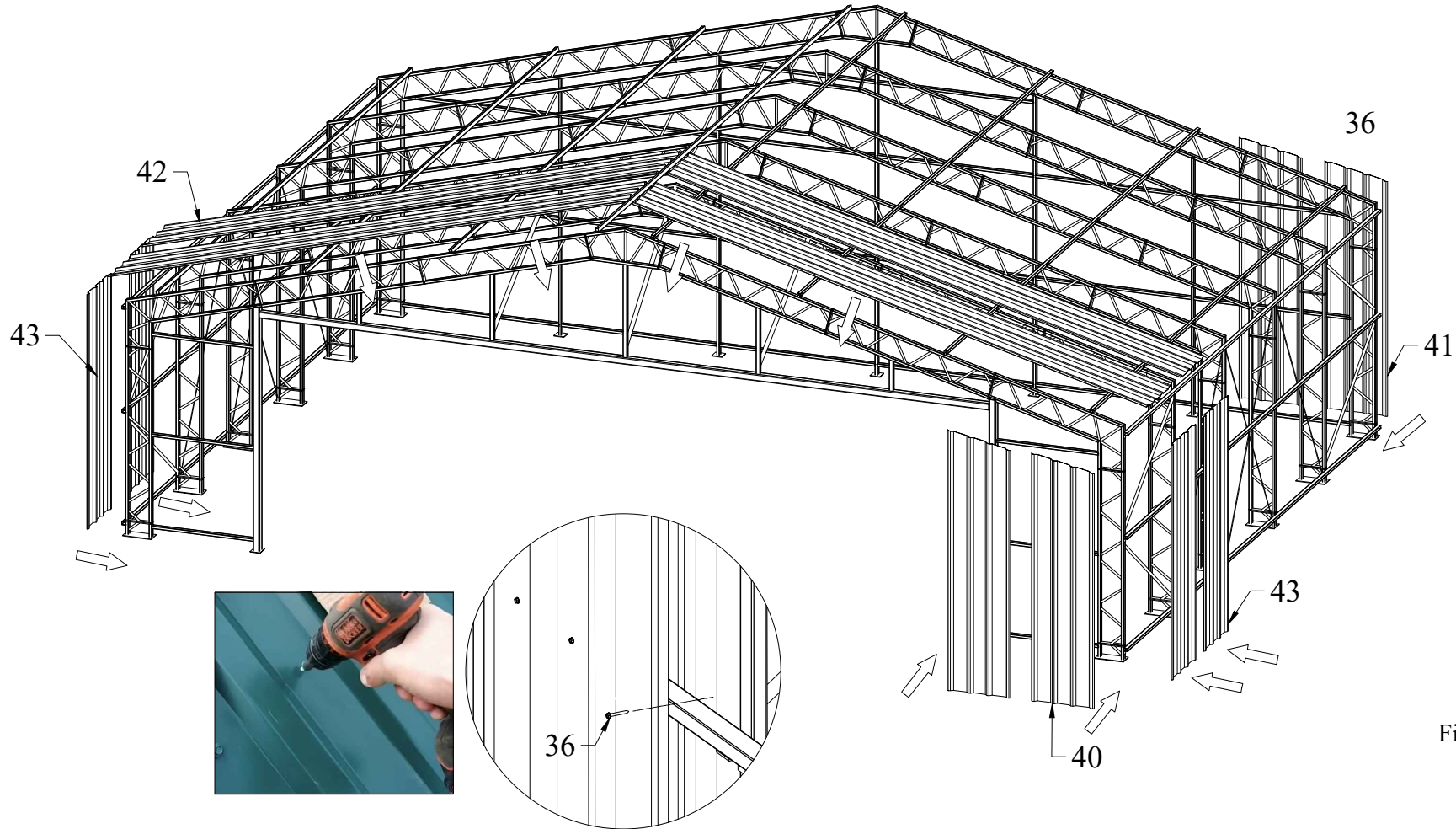


Figure 10 Installation of the wall panels(front back and sidewall)



Figure 11 Installation of roof panels

